

HBrinker Mechanical Seal

Pusher seals Mechanical Seal HBX25



Mechanical Seal HBX25

Operating range

Shaft diameter:

$d_1 = 15 \dots 300 \text{ mm}$ (0.59" ... 11.81")

Pressure: $p_1 = 16 \text{ bar}$ (232 PSI)

Temperature:

$t = -40 \text{ }^\circ\text{C} \dots 220 \text{ }^\circ\text{C}$ (-40 °F ... 428 °F)

Sliding velocity: $v_g = 20 \text{ m/s}$ (66 ft/s)

Features

- External configuration
- Balanced
- Independent of direction of rotation
- Independent of pressure direction

Advantages

- Robust and easy to install design
- Springs protected from the product
- No metal parts on the product side
- Simple conversion of gland packings

v

Materials

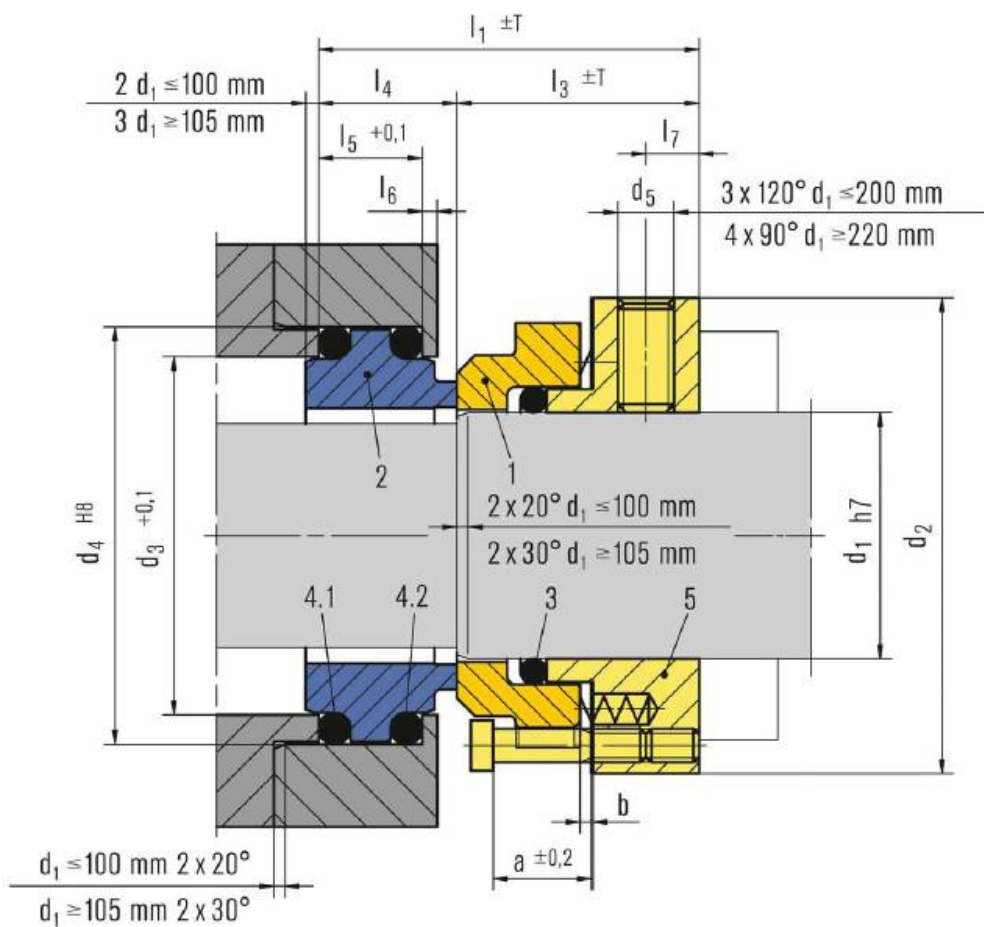
- Seal face: Silicon Carbide (Q2), CrMo cast steel (S)
- Seat: Carbon graphite resin impregnated (B), Silicon carbide (Q2)
- Secondary seals: EPDM (E), NBR (P), FKM (V), FFKM (K), coated (M)
- Springs: CrNiMo steel (G)
- Metal parts: CrNiMo steel (G)

Recommended applications

- Process industry
- Oil and gas industry
- Refining technology
- Petrochemical industry
- Chemical industry
- Pharmaceutical industry
- Power plant technology
- Pulp and paper industry
- Water and waste water technology
- Mining industry
- Building services industry
- Food and beverage industry
- Shipbuilding
- Sugar industry
- Metal production and processing

HBrinker Mechanical Seal

Pusher seals Mechanical Seal HBX25



Item	Description
1	Seal ring
2	Mating ring
3, 4.1, 4.2	O-Ring
5	Thrust unit

HBrinker Mechanical Seal

Pusher seals Mechanical Seal HBX25



Dimension Table in millimeter

d1	d2	l1	l3	T	l4	l7	d5	a	b	d3	d4	l5	l6
15	42	48	31	0.5	17	8	M6	12.0	2	23.0	29	12	2.0
16	43	48	31	0,5	17	8	M6	12.0	2	24.0	30	12	2.0
18	45	48	31	0,5	17	8	M6	12.0	2	27.0	33	12	2.0
20	47	48	31	0,5	17	8	M6	12.0	2	29.0	35	12	2.0
22	49	48	31	0.5	17	8	M6	12.0	2	31.0	37	12	2.0
24	51	48	31	0.5	17	8	M6	12.0	2	33.0	39	12	2.0
25	52	48	31	0.5	17	8	M6	12.0	2	34.0	40	12	2.0
28	55	48	31	0.5	17	8	M6	12.0	2	37.0	43	12	2.0
30	57	48	31	0.5	17	8	M6	12.0	2	39.0	45	12	2.0
32	59	48	31	0.5	17	8	M6	12.0	2	42.0	48	12	2.0
33	60	48	31	0.5	17	8	M6	12.0	2	42.0	48	12	2.0
35	62	48	31	0.5	17	8	M6	12.0	2	44.0	50	12	2.0
38	71	52	33	0.5	19	8	M8	13.5	2	49.0	56	14	2.0
40	73	52	33	0.5	19	8	M8	13.5	2	51.0	58	14	2.0
43	76	52	33	0.5	19	8	M8	13.5	2	54.0	61	14	2.0
45	78	52	33	0.5	19	8	M8	13.5	2	56.0	63	14	2.0
48	81	52	33	0.5	19	8	M8	13.5	2	59.0	66	14	2.0
50	83	54	33	0.5	21	8	M8	13.5	2	62.0	70	16	2.0
53	86	54	33	0.5	21	8	M8	13.5	2	65.0	73	16	2.0
55	88	54	33	0.5	21	8	M8	13.5	2	67.0	75	16	2.0
58	98	63	41	1.0	22	10	M10	15.0	2	72.0	80	16	2.5
60	100	63	41	1.0	22	10	M10	15.0	2	75.0	83	16	2.5
63	103	63	41	1.0	22	10	M10	15.0	2	77.0	85	16	2.5
65	105	65	41	1.0	24	10	M10	15.0	2	81.0	90	18	2.5
68	108	65	41	1.0	24	10	M10	15.0	2	83.0	92	18	2.5
70	111	68	43	1.0	25	10	M10	17.5	2	88.0	97	19	2.5
75	116	68	43	1.0	25	10	M10	17.5	2	95.0	105	19	2.5
80	121	68	43	1.0	25	10	M10	17.5	2	100.0	110	19	2.5
85	126	68	43	1.0	25	10	M10	17.5	2	105.0	115	19	2.5
90	131	68	43	1.0	25	10	M10	17.5	2	110.0	120	19	2.5
95	136	68	43	1.0	25	10	M10	17.5	2	115.0	125	19	2.5
100	141	68	43	1.0	25	10	M10	17.5	2	120.0	130	19	2.5
105	148	75	47	2.0	28	10	M10	21.0	3	123.0	135	22	2.5
110	153	75	47	2.0	28	10	M10	21.0	3	128.0	140	22	2.5
115	158	75	47	2.0	28	10	M10	21.0	3	133.0	145	22	2.5
120	171	78	50	2.0	28	10	M10	21.0	3	140.0	152	22	2.5
125	176	78	50	2.0	28	10	M10	21.0	3	145.0	157	22	2.5
130	181	78	50	2.0	28	10	M10	21.0	3	150.0	162	22	2.5
135	186	78	50	2.0	28	10	M10	21.0	3	155.0	167	22	2.5
140	191	78	50	2.0	28	10	M10	21.0	3	160.0	172	22	2.5
145	196	78	50	2.0	28	10	M10	21.0	3	165.0	177	22	2.5
150	203	86	55	2.0	31	10	M10	25.0	4	171.0	183	24	3.0
160	213	86	55	2.0	31	10	M10	25.0	4	181.0	193	24	3.0
170	223	86	55	2.0	31	10	M10	25.0	4	191.0	203	24	3.0
180	233	86	55	2.0	31	10	M10	25.0	4	203.0	215	24	3.5
190	243	86	55	2.0	31	10	M10	25.0	4	213.0	225	24	3.5

HBrinker Mechanical Seal

Pusher seals Mechanical Seal HBX25



d1	d2	l1	l3	T	l4	l7	d5	a	b	d3	d4	l5	l6
200	253	86	55	2.0	31	10	M10	25.0	4	223.0	235	24	3.5
220	275	92	62	3.0	33	10	M10	29.0	5	246.5	258	25	3.5
240	295	92	62	3.0	33	10	M10	29.0	5	266.5	278	25	3.5
260	315	92	62	3.0	33	10	M10	29.0	5	286.5	298	25	3.5
280	335	92	62	3.0	33	10	M10	29.0	5	306.5	318	25	3.5
300	355	92	62	3.0	33	10	M10	29.0	5	326.5	338	25	3.5

