

HBrinker Mechanical Seal

Elastomer Bellows Mechanical Seal HBT-FN



Mechanical Seal HBT-FN

Operating range

Shaft diameter: $d_1 = 10 \dots 40 \text{ mm}$ (0.39" ... 1.57")

Pressure: $p_1 = 12 \text{ (16) bar}$ (174 (232) PSI)

Temperature: $t = -35 \text{ }^\circ\text{C} \dots +180 \text{ }^\circ\text{C}$ (-31 °F ... +356 °F)

Sliding velocity: $v_g = 15 \text{ m/s}$ (49 ft/s)

Materials

- Seal face: Steatite (X), Aluminium oxide (V), Silicon carbide (Q1, Q6), Tungsten carbide (U1)
- Seat: Carbon graphite antimony impregnated (A), Carbon graphite resin impregnated (B),
- Silicon carbide (Q1, Q6), Tungsten carbide (U1)
- Elastomers: NBR (P), EPDM (E), FKM (V), FFKM (K)
- Metal parts: CrNi steel 1.4301 (F), CrNiMo steel 1.4401 (G)

Features

- Single pusher-type seal
- Unbalanced
- Conical spring
- Dependent on direction of rotation

v

Recommended applications

- Building services industry
- Household appliances
- Centrifugal pumps
- Clean water pumps
- Pumps for domestic applications and gardening

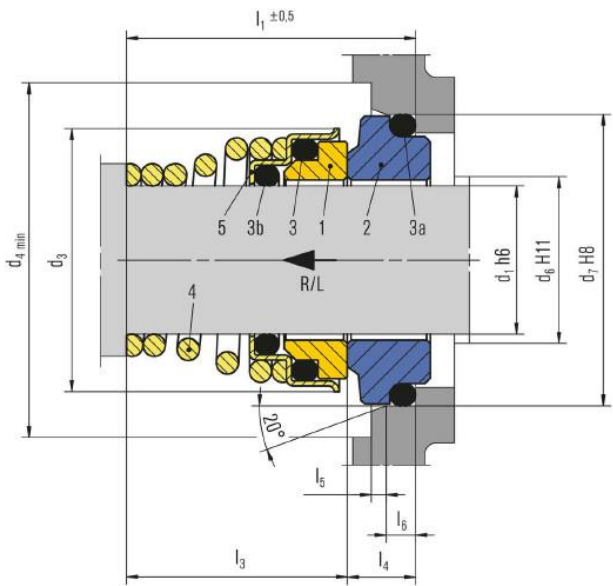
Advantages

The BT-FN combines a spring loaded ceramic seal face and the traditional pusher mechanical seals. The competitive price and the wide range of applications have made the BT-FN seal a success. The seal is produced with punched metal parts that allow an economical design.

BT-FN mechanical seals are also the ideal solution for light chemicals media applications. To ensure the best reliable performance, we recommend a material combination of hard material sliding faces and proper elastomer O-Rings.

HBrinker Mechanical Seal

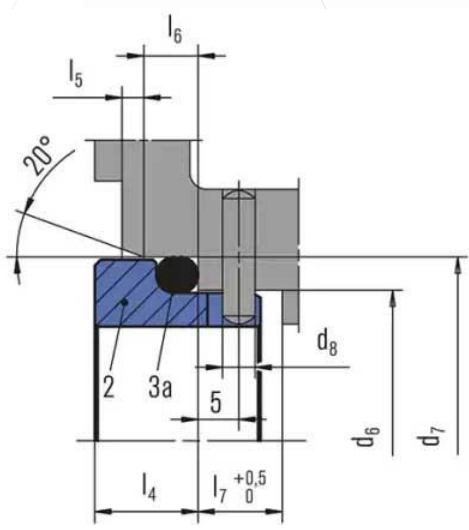
Elastomer Bellows Mechanical Seal HBT-FN



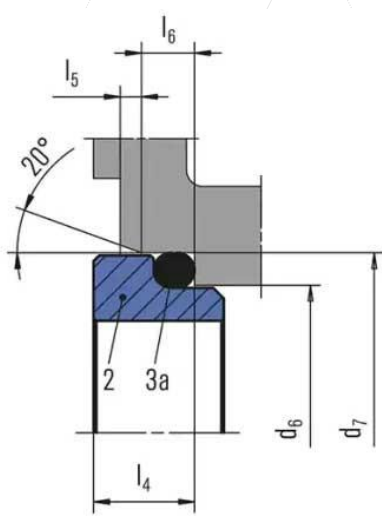
Item	Description
1	Seal face
2	Stationary seat
3 3a 3b	O-ring
4	Spring
5	Collar

v

Seat alternatives



Seat HBPFL1



Seat HBPFL

HBrinker Mechanical Seal

Elastomer Bellows Mechanical Seal HBT-FN



Dimension Table in millimeter

d ₁	d ₃	d ₄	d ₆	d ₇	l ₁	l ₃	l ₄	l ₅	l ₆
10	19.5	22	14.0	18.1	20.5	15	5.5	1.2	3
11	22.5	25	16.5	20.6	23.5	18	5.5	1.2	3
12	22.5	25	16.5	20.6	23.5	18	5.5	1.2	3
13	24.5	28	19.0	23.1	28.0	22	6.0	1.2	3
14	24.5	28	19.0	23.1	28.0	22	6.0	1.2	3
15	29.0	32	21.0	26.9	29.0	22	7.0	1.5	4
16	29.0	32	21.0	26.9	30.0	23	7.0	1.5	4
17	29.0	32	21.0	26.9	30.0	23	7.0	1.5	4
18	32.5	36	25.0	30.9	32.0	24	8.0	1.5	4
19	32.5	36	25.0	30.9	33.0	25	8.0	1.5	4
20	32.5	36	25.0	30.9	33.0	25	8.0	1.5	4
22	37.5	42	30.0	35.4	33.0	25	8.0	2.0	4
24	37.5	42	30.0	35.4	35.0	27	8.0	2.0	4
25	40.0	45	33.0	38.2	35.5	27	8.5	2.0	4
28	46.0	51	38.0	43.3	38.0	29	9.0	2.0	4
30	46.0	51	38.0	43.3	39.0	30	9.0	2.0	4
32	46.0	51	38.0	43.3	39.0	30	9.0	2.0	4
35	50.0	55	45.0	53.5	50.5	39	11.5	2.0	6
38	58.0	68	52.0	60.5	50.5	39	11.5	2.0	6
40	58.0	68	52.0	60.5	50.5	39	11.5	2.0	6

