

HBrinker Mechanical Seal

Standard Cartridge Seal

Mechanical Seal HBCartex ANSI Dual Seal



Mechanical Seal HBCartex ANSI Dual Seal

Operating range

Shaft diameter: $d_1 = 25 \dots 100 \text{ mm}$ (1.000" ... 4.000") Other sizes on request

Temperature: $t = -40 \text{ }^\circ\text{C} \dots 220 \text{ }^\circ\text{C}$ (-40 °F ... 428 °F) (Check O-Ring resistance)

Sliding face material combination BQ1

Pressure: $p_1 = 25 \text{ bar}$ (363 PSI)

Sliding velocity: $v_g = 16 \text{ m/s}$ (52 ft/s)

Sliding face material combination Q1Q1 or U2Q1

Pressure: $p_1 = 20 \text{ bar}$ (290 PSI)

Sliding velocity: $v_g = 10 \text{ m/s}$ (33 ft/s)

Barrier fluid circulation system:

$p_{3\text{max}} = 25 \text{ bar}$ (363 PSI)

$\Delta p (p_3 - p_1)_{\text{ideal}} = 2 \dots 3 \text{ bar}$ (29 ... 44 PSI), 7 bar (102 PSI) for barrier media with poor lubricating properties)

Pump startup:

$\Delta p (p_3 - p_1)_{\text{max}} = 25 \text{ bar}$ (363 PSI) allowed

Recommended supply medium: max. ISO VG 5

Axial movement:

$\pm 1.0 \text{ mm}$, $d_1 \geq 75 \text{ mm} \pm 1.5 \text{ mm}$

Materials

- Seal face: Silicon carbide (Q1), Carbon graphite resin impregnated (B), Tungsten carbide (U2)
- Seat: Silicon carbide (Q1)
- Secondary seals: FKM (V), EPDM (E), FFKM (K), Perfluorocarbon rubber/PTFE (U1)
- Springs: Hastelloy® C-4 (M)
- Metal parts: CrNiMo steel (G), CrNiMo cast steel (G)

Advantages

- Ideal for use in ANSI process pumps
- Universal applicable for packings conversions, retrofits or OEM
- Ideal seal for standardizations
- No dimensional modification of the seal chamber necessary, small radial installation height
- No damage of the shaft by dynamically loaded O-Ring
- Extended service life
- No damage caused by dirt entered during assembly
- Straightforward and easy installation due to pre-assembled unit

Recommended applications

- Process industry
- Petrochemical industry
- Chemical industry
- Pharmaceutical industry
- Power plant technology
- Pulp and paper industry
- Water and waste water technology
- Mining industry
- Food and beverage industry
- Universally applicable
- ANSI process pumps

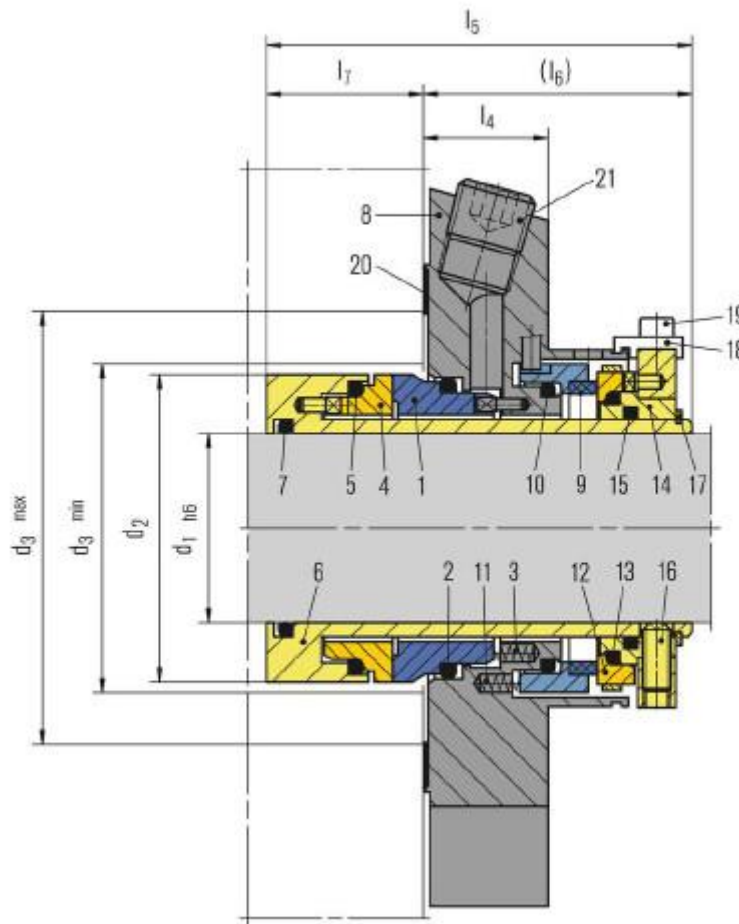
Features

- Dual seal
- Available for standard (Cartex-ASDN) and big bore (Cartex-ABDN) seal chambers
- Cartridge
- Balanced
- Independent of direction of rotation
- Double pressure balanced
- Integrated pumping device

HBrinker Mechanical Seal

Standard Cartridge Seal

Mechanical Seal HBCartex ANSI Dual Seal



Item	Description
1	Seal face
2,5,7,10,13,15	O-Ring
3	Spring
4	Seat
6	Shaft sleeve
8	Cover
9	Seal face
11	Spring
12	Seat
14	Drive collar
16	Set screw
17	Snap ring
18	Assembly fixture
19	Hex socket head screw
20	Gasket
21	Screw plug
22	Gasket

HBrinker Mechanical Seal

Standard Cartridge Seal

Mechanical Seal HBCartex ANSI Dual Seal



Dimension Table in millimeter

d ₁	d ₂	d _{3 min}	d _{3 max}	l ₄	l ₅	l ₆	l ₇	a ₂	d _a	s	Connection
1.000	1.693	1.732	2.205	1.000	3.406	2.102	1.303	2.441	3.937	0.433	1/4 NPT
1.125	1.713	1.752	2.205	1.000	3.228	3.228	1.343	2.441	4.134	0.437	1/4 NPT
1.250	1.969	2.008	2.402	1.000	3.406	2.102	1.303	2.756	4.252	0.433	1/4 NPT
1.375	1.961	2.000	2.402	1.000	3.406	2.083	1.303	2.756	4.213	0.437	1/4 NPT
1.500	2.200	2.244	2.717	1.000	3.406	2.102	1.303	2.953	4.488	0.551	3/8 NPT
1.625	2.340	2.421	2.795	1.000	3.406	2.102	1.303	3.091	4.921	0.551	3/8 NPT
1.750	2.461	2.500	2.953	1.000	3.406	2.102	1.303	3.228	5.118	0.559	3/8 NPT
1.875	2.583	2.661	3.070	1.000	3.406	2.102	1.303	3.307	5.118	0.551	3/8 NPT
2.000	2.677	2.756	3.189	1.000	3.406	2.102	1.303	3.425	5.472	0.630	3/8 NPT
2.125	2.834	2.913	3.583	1.000	3.406	2.102	1.303	3.819	5.512	0.650	3/8 NPT
2.250	2.960	3.039	3.583	1.000	3.406	2.102	1.303	3.858	5.866	0.650	3/8 NPT
2.375	3.070	3.125	3.590	1.000	–	–	–	–	6.181	0.709	3/8 NPT
2.500	3.212	3.291	3.937	1.122	3.406	2.102	1.303	4.528	6.693	0.709	3/8 NPT
2.625	3.338	3.417	4.016	1.250	3.406	2.102	1.303	4.528	6.378	0.630	3/8 NPT
2.750	3.660	3.740	4.370	1.260	3.406	2.102	1.303	4.646	7.441	0.709	3/8 NPT
3.000	3.937	4.016	4.724	1.260	4.252	2.516	1.736	5.000	7.835	0.709	3/8 NPT
3.250	4.189	4.268	4.921	1.260	4.252	2.516	1.736	5.315	7.830	0.709	3/8 NPT
3.750	4.689	4.750	5.433	1.000	–	–	–	–	8.189	0.866	3/8 NPT

