

HBrinker Mechanical Seal

Standard Cartridge Seal

Mechanical Seal HBCartex ANSI Single Seal



Mechanical Seal HBCartex ANSI Single Seal

Operating range

Shaft diameter: $d_1 = 1.000'' \dots 3.750''$

Other sizes on request

Temperature: $t = -40\text{ }^\circ\text{C} \dots 220\text{ }^\circ\text{C}$ ($-40\text{ }^\circ\text{F} \dots 428\text{ }^\circ\text{F}$) (Check O-Ring resistance)

Sliding face material combination BQ1

Pressure: $p_1 = 25\text{ bar}$ (363 PSI)

Sliding velocity: $v_g = 16\text{ m/s}$ (52 ft/s)

Sliding face material combination Q1Q1 or U2Q1

Pressure: $p_1 = 12\text{ bar}$ (174 PSI)

Sliding velocity: $v_g = 10\text{ m/s}$ (33 ft/s)

Axial movement: $\pm 1.0\text{ mm}$, $d_1 \geq 75\text{ mm} \pm 1.5\text{ mm}$

Materials

- Seal face: Silicon carbide (Q1), Carbon graphite resin impregnated (B), Tungsten carbide (U2)
- Seat: Silicon carbide (Q1)
- Secondary seals: FKM (V), EPDM (E), FFKM (K), Perfluorocarbon rubber/PTFE (U1)
- Springs: Hastelloy® C-4 (M)
- Metal parts: CrNiMo steel (G)

Features

- Single seal
- Available for standard (Cartex-ASPN) and big bore (Cartex-ABPN) seal chambers
- Cartridge
- Balanced
- Independent of direction of rotation
- Single seals with flush (-ASPN, -ABPN) and with quench combined with lip seal (-ASQN, -ABQN) or throttle ring (-ASTN, -ABTN)

Advantages

- Ideal for use in ANSI process pumps
- Universal applicable for packings conversions, retrofits or original equipment
- Seal for standardizations
- No dimensional modification of the seal chamber necessary, small radial installation height
- No damage of the shaft by dynamically loaded O-Ring
- Extended service life
- Installation faults are avoided, costeffective
- No damage caused by dirt entered during assembly
- Straightforward and easy installation due to pre-assembled unit (reduced downtimes)

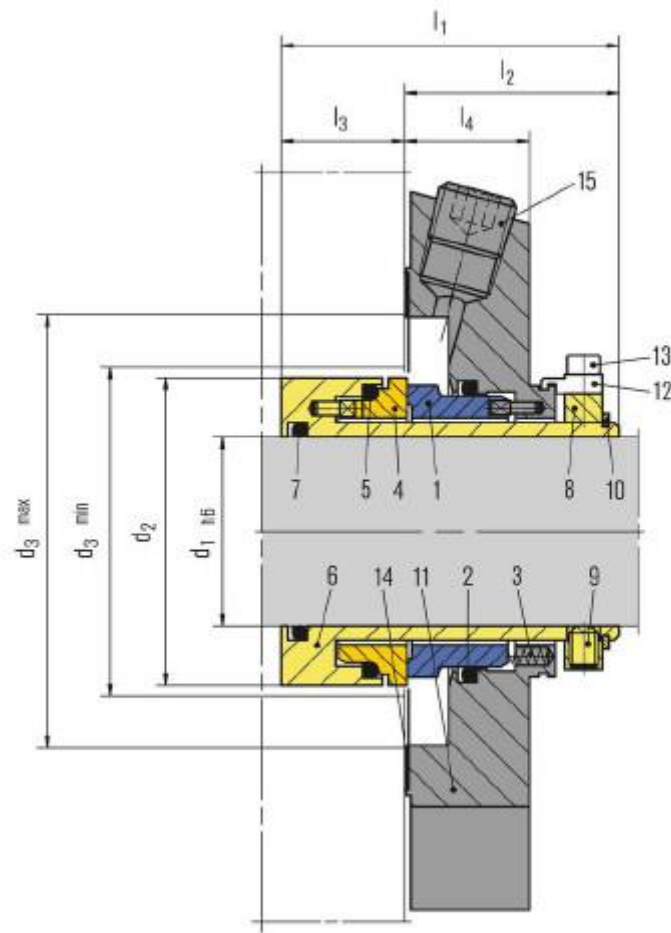
Recommended applications

- Process industry
- Petrochemical industry
- Chemical industry
- Pharmaceutical industry
- Power plant technology
- Pulp and paper industry
- Water and waste water technology
- Mining industry
- Food and beverage industry
- Universally applicable
- ANSI process pumps

HBrinker Mechanical Seal

Standard Cartridge Seal

Mechanical Seal HBCartex ANSI Single Seal



Item	Description
1	Seal face
2,5,7	O-Ring
3	Spring
4	Seat
6	Shaft sleeve
8	Drive collar
9	Set Screw
10	Snap ring
11	Cover
12	Assembly fixture
13	Screw
14	Gasket
15	Screw Plug
16	Lip Seal

HBrinker Mechanical Seal

Standard Cartridge Seal

Mechanical Seal HBCartex ANSI Single Seal



Dimension Table in millimeter

d ₁	d ₂	d _{3 min}	d _{3 max}	l ₁	l ₂	l ₃	l ₄	l ₁₅	l ₁₆	l ₁₇	a ₁	d _a	s	Connection
1.000	1.693	1.732	2.205	2.638	1.669	0.969	1.000	2.937	1.909	1.028	2.756	3.937	0.433	1/4 NPT
1.125	1.713	1.752	2.205	2.638	1.669	0.969	1.000	2.937	1.909	1.028	2.440	4.134	0.437	1/4 NPT
1.250	1.969	2.008	2.402	2.638	1.669	0.969	1.000	3.130	2.102	1.028	2.638	4.252	0.433	1/4 NPT
1.375	1.961	2.000	2.402	2.638	1.669	0.969	1.000	2.947	1.919	1.028	2.760	4.213	0.437	1/4 NPT
1.500	2.200	2.244	2.717	2.638	1.669	0.969	1.000	3.130	2.102	1.028	2.950	4.488	0.551	3/8 NPT
1.625	2.340	2.421	2.795	2.638	1.669	0.969	1.000	3.130	2.102	1.028	3.030	4.921	0.551	3/8 NPT
1.750	2.461	2.500	2.953	2.638	1.669	0.969	1.000	3.012	1.984	1.028	3.228	5.118	0.559	3/8 NPT
1.875	2.583	2.661	3.070	2.638	1.669	0.969	1.000	3.071	2.043	1.028	3.190	5.118	0.551	3/8 NPT
2.000	2.677	2.756	3.189	2.638	1.669	0.969	1.000	3.130	2.102	1.028	3.430	5.472	0.630	3/8 NPT
2.125	2.834	2.913	3.583	2.638	1.669	0.969	1.000	3.012	1.984	1.028	3.820	5.512	0.650	3/8 NPT
2.250	2.960	3.039	3.583	2.638	1.669	0.969	1.000	3.130	2.102	1.028	3.858	5.866	0.650	3/8 NPT
2.375	3.070	3.125	3.590	2.638	1.669	0.969	1.000	–	–	–	4.020	6.181	0.709	3/8 NPT
2.500	3.212	3.291	3.937	2.638	1.669	0.969	1.122	3.130	2.102	1.028	4.528	6.693	0.709	3/8 NPT
2.625	3.338	3.417	4.016	2.638	1.669	0.969	1.250	3.130	2.102	1.028	4.528	6.378	0.630	3/8 NPT
2.750	3.660	3.740	4.370	2.638	1.929	0.709	1.260	3.130	2.102	10.28	4.646	7.441	0.709	3/8 NPT
3.000	3.937	4.016	4.724	3.307	2.260	1.047	1.260	3.858	2.516	1.343	5.000	7.835	0.709	3/8 NPT
3.250	4.189	4.268	4.921	3.307	2.260	1.047	1.260	3.858	2.516	1.343	5.315	7.830	0.709	3/8 NPT
3.750	4.689	4.750	5.433	3.307	2.260	1.047	1.000	–	–	–	5.827	8.189	0.866	3/8 NPT

v

