



## Mechanical Seal HBGRF

### Operating range

- 
- Temperature: -40 to +200 c
- Pressure:  $\leq 1.6$  mpa
- Speed:  $\leq 15$  m/s
- Stationary and rotating face: SIC/SIC – Viton
- Material of metal part: AISI304
- Application: CR, Grundfos, CRI, CRN
- Rubber type: EPDM
- Shaft diameter: 12-16-22
- Width of transport packing: 8cm
- Length of transport packing: 8cm
- Height of transport packing: 10cm

The material can be changed based on the type of order

v

### Material

- Stationary and rotating face: SIC/SIC/TN
- Material of metal part: AISI304
- Rubber type: EPDM

### Seal HBGRE

- O-ring seal like type A but with a narrow seal face.
- Due to the narrow seal face of the unbalanced design, the balancing ratio exceeds that of seal crf. This reduces the pressure and temperature operating limits of the seal.

# HBrinker Mechanical Seal

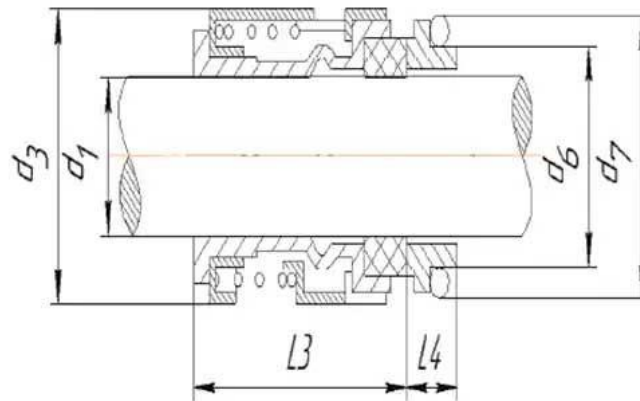
Grundfos seals

Mechanical Seal HBGRF



**H-Brinker**

www.HBrinker.com



d1	d3	d6	d7	L3	L4
H6	Max	h8	0.5		h8
12	22	19	23	24	8.5
12	22	19	23	39	8.5
16	26	23	27	25	9
16	26	23	27	30	9