

HBrinker Mechanical Seal

Pusher seals Mechanical Seal HB75VN



Mechanical Seal HB75VN

Operating range

Shaft diameter: $d = 20 \dots 110 \text{ mm}$ (0.79" ... 4.33")*

Pressure: $p_1 = 40 \text{ bar}$ (580 PSI)

Temperature: $t = -40 \text{ }^\circ\text{C} \dots +220 \text{ }^\circ\text{C}$ (-40 °F ... 428 °F)

Sliding velocity: $v_g = 23 \text{ m/s}$ (75 ft/s)

Axial movement: $\pm 2.0 \dots 4.0 \text{ mm}$ depending
on diameter and installation situation

Materials

- Seal face: Carbon graphite antimony impregnated (A)
- Seat: Silicon carbide (Q1, Q2)
- Secondary seals: EPDM (E), NBR (P), FKM (V), FFKM (K)
- Springs: Hastelloy® C-4 (M)
- Metal parts: CrNiMo steel (G), Duplex (G1), Hastelloy® C-4 (M)

Features

- Single seal
- Cartridge unit
- Design acc. to API 682 / ISO 21049
- Category 2 and 3, Type A, Arrangement 1
- Independent of direction of rotation
- Rotating multiple springs
- Integrated pumping device available (HB75VP)

Advantages

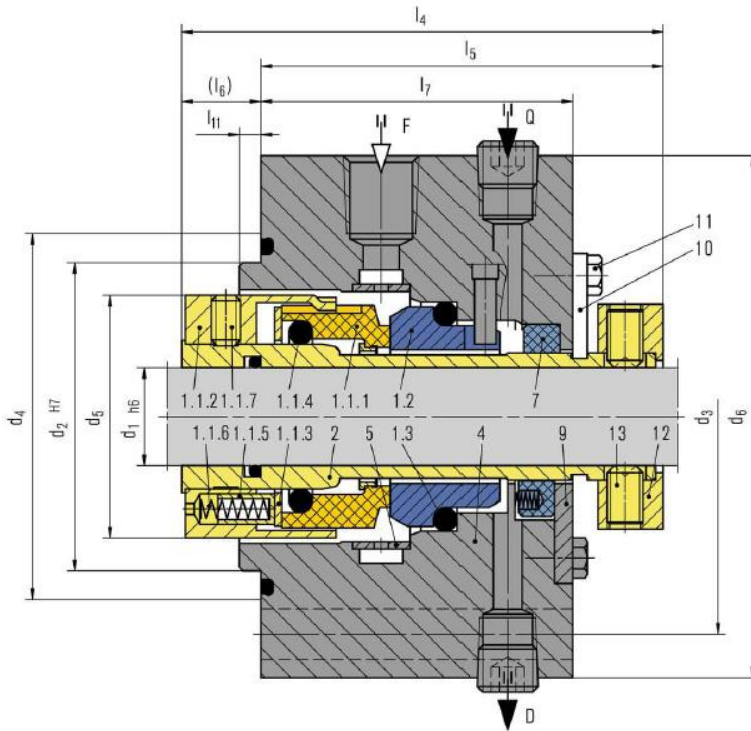
- "Low-Emission-Seal" acc. to the American STLE-limits
- Universally applicable both for retrofits or original equipment
- Efficient stock-keeping due to standardized components
- Extended selection of materials
- Extended field of operation in terms of temperature and pressure
- Metal parts also in special materials available

Recommended applications

- Process industry
- Oil and gas industry
- Refining technology
- Petrochemical industry
- Power plant technology
- Light hydrocarbons
- Hot water
- API 610 / ISO 13709 pumps
- Process pumps

HBrinker Mechanical Seal

Pusher seals Mechanical Seal HB75VN



Item	Description
1.1.1	Seal face
1.1.2	Driver
1.1.3	Thrust ring
1.1.4,1.3	O-Ring
1.1.5	Sleeve
1.1.6	Spring
1.1.7	Set screw
1.2	Seat
2	Shaft sleeve
4	Housing
5	Insert
7	Throttle ring
9	Washer
10	Assembly fixture
11	Hexagon bolt
12	Set ring
13	Set screw

Dimension Table in millimeter

API/d ₁	API/d ₂	API/d ₃	API/d ₄	d ₅	d ₆	L ₄	L ₅	L ₆	L ₇	L ₁₁	Overall length
20	70	105	85	50	138	95.0	94.00	1.0	76.0	6	100
30	80	115	95	62	148	100.5	98.0	2.5	77.0	6	104
40	90	125	105	72	158	105.5	98.5	7.0	77.5	6	125
50	100	140	115	86	168	111.5	99.5	12.0	78.5	6	140
60	120	160	135	99	188	120.5	102.0	18.5	81.0	6	160
70	130	170	145	109	198	124.5	106.0	18.0	81.0	6	170
80	140	180	155	119	208	129.0	106.0	23.0	81.0	6	180
90	160	205	175	129	238	129.0	106.0	23.0	81.0	6	205
100	170	215	185	153	248	133.0	109.0	24.0	81.0	6	215
110	180	225	195	168	258	133.0	109.0	24.0	81.0	6	225