



Mechanical Seal HB7N

Operating range

- Shaft diameter: $d_1 = 14 \dots 100 \text{ mm}$ (0.55" ... 3.94") (Single spring: $d_1 = \text{max. } 100 \text{ mm}$ (3.94"))
- Pressure:
 - $p_1 = 80 \text{ bar}$ (1,160 PSI) for $d_1 = 14 \dots 100 \text{ mm}$,
 - $p_1 = 25 \text{ bar}$ (363 PSI) for $d_1 = 100 \dots 200 \text{ mm}$,
 - $p_1 = 16 \text{ bar}$ (232 PSI) for $d_1 > 200 \text{ mm}$
- Temperature: $t = -50 \text{ }^\circ\text{C} \dots 220 \text{ }^\circ\text{C}$ (-58 °F ... 428 °F)
- Sliding velocity: $v_g = 20 \text{ m/s}$ (66 ft/s)
- Axial movement:
 - d_1 up to 22 mm: $\pm 1.0 \text{ mm}$
 - d_1 24 up to 58 mm: $\pm 1.5 \text{ mm}$
 - d_1 from 60 mm: $\pm 2.0 \text{ mm}$

Materials

- Seal face: Silicon carbide (Q1, Q2), Carbon graphite antimony impregnated (A), Aluminium oxide (V), CrMo cast steel (S)
- Seat G9: Carbon graphite antimony impregnated (A), Carbon graphite resin impregnated (B), Silicon carbide (Q1*, Q2*)
- Secondary seals: EPDM (E), NBR (P), FKM (V), FFKM (K)
- Springs: CrNiMo steel (G)
- Metal parts: CrNiMo steel (G), Duplex (G1)
- Cannot be combined with seal face made of S

Features

- For stepped shafts
- Single seal
- \checkmark Balanced
- Super-Sinus-spring or multiple springs rotating
- Independent of direction of rotation

Advantages

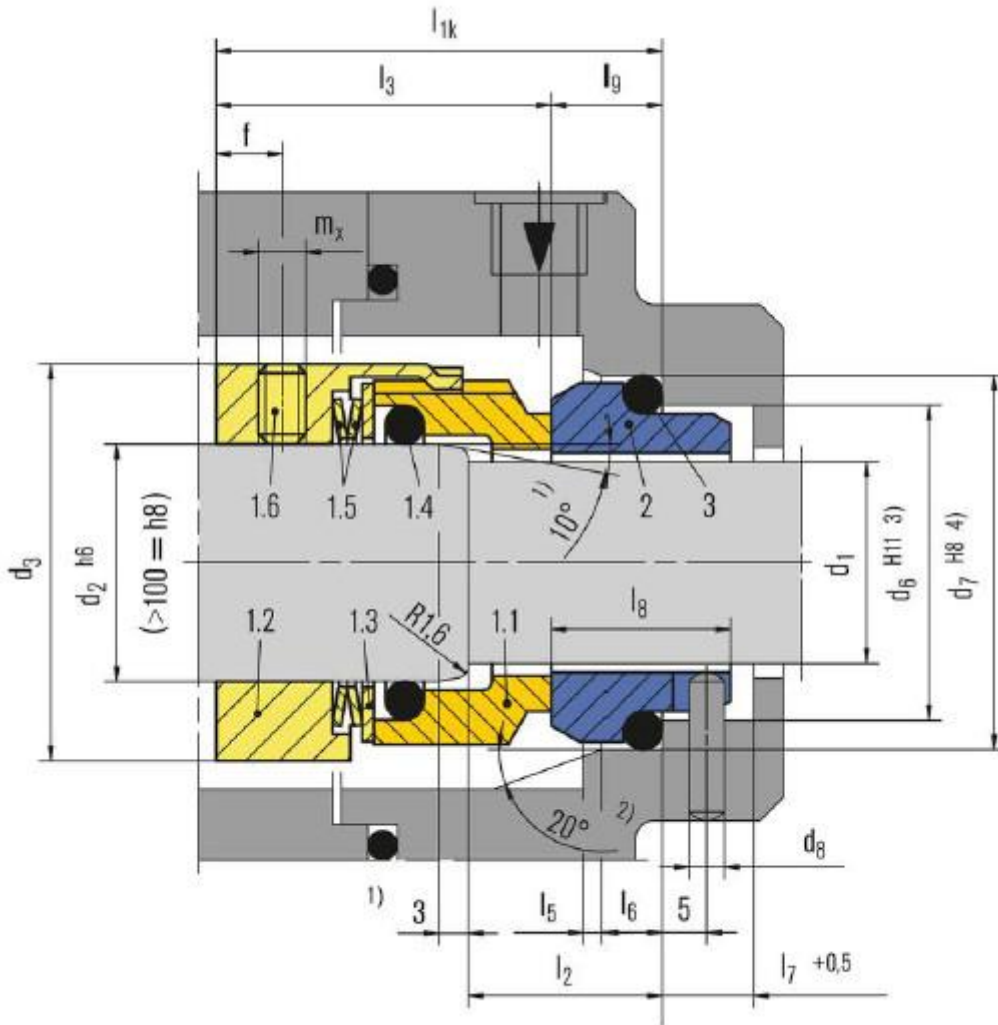
- Universal application opportunities (standardization)
- Efficient stock keeping due to easily interchangeable faces
- Extended selection of materials
- Flexibility in torque transmissions
- Self cleaning effect

Recommended applications

- Process industry
- Oil and gas industry
- Refining technology
- Petrochemical industry
- Chemical industry
- Power plant technology
- Pulp and paper industry
- Food and beverage industry
- Hot water applications
- Light hydrocarbons
- Boiler feed pumps
- Process pumps

HBrinker Mechanical Seal

Pusher seals Mechanical Seal HB7N



Item	Part no. To DIN 24250	Description
1.1	472	Seal face
1.2	485	Drive collar
1.3	474	Thrust ring
1.4	412.1	O-Ring
1.5	477	Spring
1.6	904	Set screw
2	475	Seat (G9)
3	412.2	O-Ring

HBrinker Mechanical Seal

Pusher seals Mechanical Seal HB7N



Dimension Table in millimeter

d ₁	d ₂	d ₃	d ₆	d ₇	d ₈	d ₂₄	d ₂₁	d ₂₂	d _s	l _{IK}	l _{IN}	l ₂	l ₃
14*	18	33	21.0	25.0	3	20	–	–	38	42.5	–	18	32.5
16*	20	35	23.0	27.0	3	22	–	–	40	42.5	–	18	32.5
18*	22	37	27.0	33.0	3	24	–	–	42	45.0	55	20	33.5
20*	24	39	29.0	35.0	3	26	–	–	44	45.0	60	20	33.5
22*	26	41	31.0	37.0	3	28	–	–	45	45.0	60	20	33.5
24*	28	43	33.0	39.0	3	30	–	–	47	47.5	60	20	36.0
25*	30	45	34.0	40.0	3	32	–	–	49	47.5	60	20	36.0
28*	33	48	37.0	43.0	3	35	44.65	50.57	51	50.0	65	20	38.5
30*	35	50	39.0	45.0	3	37	47.83	53.75	54	50.0	65	20	38.5
32*	38	55	42.0	48.0	3	40	47.83	53.75	59	50.0	65	20	38.5
33*	38	55	42.0	48.0	3	40	47.83	53.75	59	50.0	65	20	38.5
35*	40	57	44.0	50.0	3	42	51.00	56.92	61	50.0	65	20	38.5
38*	43	60	49.0	56.0	4	45	54.18	60.10	65	52.5	75	23	38.5
40*	45	62	51.0	58.0	4	47	60.53	66.45	66	52.5	75	23	38.5
43*	48	65	54.0	61.0	4	50	63.70	69.62	69	52.5	75	23	38.5
45*	50	67	56.0	63.0	4	52	63.70	69.62	71	52.5	75	23	38.5
48*	53	70	59.0	66.0	4	55	66.88	72.80	75	52.5	85	23	38.5
50*	55	72	62.0	70.0	4	57	70.05	75.97	76	57.5	85	25	42.5
53*	58	79	65.0	73.0	4	60	76.40	82.32	83	57.5	85	25	42.5
55*	60	81	67.0	75.0	4	62	76.40	82.32	85	57.5	85	25	42.5
58*	63	84	70.0	78.0	4	65	79.58	85.50	88	62.5	85	25	47.5
60*	65	86	72.0	80.0	4	67	82.75	88.67	95	62.5	95	25	47.5
63*	68	89	75.0	83.0	4	70	85.93	91.85	93	62.5	95	25	47.5
65*	70	91	77.0	85.0	4	72	85.93	91.85	95	62.5	95	25	47.5
70*	75	99	83.0	92.0	4	77	89.10	95.02	105	70.0	95	28	52.0
75*	80	104	88.0	97.0	4	82	98.63	104.55	109	70.0	105	28	52.0
80*	85	109	95.0	105.0	4	87	101.80	107.72	114	70.0	105	28	51.8
85*	90	114	100.0	110.0	4	92	108.15	114.07	119	75.0	105	28	56.8
90*	95	119	105.0	115.0	4	97	114.50	120.42	124	75.0	105	28	56.8
95*	100	124	110.0	120.0	4	102	117.68	123.60	129	75.0	105	28	57.8
100*	105	129	115.0	125.0	4	107	124.03	129.95	134	75.0	105	28	57.8
105*	115	148	122.2	134.3	5	118	128.98	134.90	153	73.0	–	32	53.0
110*	120	153	128.2	140.3	5	123	135.30	141.20	158	73.0	–	32	53.0
115*	125	158	136.2	148.3	5	128	140.30	146.20	163	73.0	–	32	53.0
120*	130	163	138.2	150.3	5	133	145.30	151.20	168	73.0	–	32	53.0
125*	135	168	142.2	154.3	5	138	150.30	156.20	173	73.0	–	32	53.0
130*	140	173	146.2	158.3	5	143	155.30	161.20	178	73.0	–	32	53.0
135*	145	178	152.2	164.3	5	148	160.30	166.20	183	73.0	–	32	53.0
140*	150	183	156.2	168.3	5	153	165.30	171.20	188	73.0	–	32	53.0
145*	155	191	161.2	173.3	5	158	172.30	178.20	196	83.0	–	34	63.0
150*	160	196	168.2	180.3	5	163	177.30	183.20	201	85.0	–	36	63.0
155*	165	201	173.2	185.3	5	168	182.30	188.20	206	87.0	–	38	63.0
160*	170	206	178.2	190.3	5	173	187.30	193.20	211	87.0	–	38	63.0
165*	175	211	183.2	195.3	5	178	192.30	198.20	216	87.0	–	38	63.0
170*	180	216	188.2	200.3	5	183	197.30	203.20	221	87.0	–	38	63.0
175*	185	221	193.2	205.3	5	188	202.30	208.20	226	87.0	–	38	63.0
180*	190	226	207.5	219.3	5	193	207.30	213.20	231	91.0	–	42	63.0
185*	195	231	212.5	224.3	5	198	212.30	218.20	236	91.0	–	42	63.0
190*	200	236	217.5	229.3	5	203	217.30	223.20	241	91.0	–	42	63.0
195*	205	245	222.5	234.2	5	208	225.30	231.20	250	94.0	–	43	66.0
200*	210	250	227.5	239.3	5	213	230.30	236.20	255	94.0	–	43	66.0

HBrinker Mechanical Seal

Pusher seals Mechanical Seal HB7N



l ₅	l ₆	l ₇	l ₈	l ₉	l ₃₉	l ₄₀	A	b	e	f	h ₁	h ₂	k	m _x	u _{max.}	t
1.5	4	8.5	17.5	10.0	–	–	–	5	–	6.0	–	–	–	M5	9	1.1
1.5	4	8.5	17.5	10.0	–	–	–	5	–	6.0	–	–	–	M5	9	1.1
2.0	5	9.0	19.5	11.5	–	–	–	6	–	7.0	–	–	–	M5	9	1.5
2.0	5	9.0	19.5	11.5	–	–	–	6	–	5.5	–	–	–	M5	9	1.5
2.0	5	9.0	19.5	11.5	–	–	–	6	–	8.0	–	–	–	M5	9	1.5
2.0	5	9.0	19.5	11.5	–	–	–	6	–	5.5	–	–	–	M6	9	1.5
2.0	5	9.0	19.5	11.5	–	–	–	6	–	5.5	–	–	–	M6	9	1.5
2.0	5	9.0	19.5	11.5	24.0	8.5	24.0	6	8.0	8.0	6.6	22.6	9	M6	12	1.5
2.0	5	9.0	19.5	11.5	24.5	9.0	24.0	6	8.0	8.0	6.6	22.6	9	M6	12	1.5
2.0	5	9.0	19.5	11.5	24.5	9.0	24.0	6	8.0	8.0	6.6	22.6	9	M6	12	1.5
2.0	5	9.0	19.5	11.5	24.5	9.0	24.0	6	8.0	8.0	6.6	22.6	9	M6	12	1.5
2.0	5	9.0	19.5	11.5	24.5	9.0	24.0	6	8.0	8.0	6.6	22.6	9	M6	12	1.5
2.0	6	9.0	22.0	14.0	26.0	11.0	24.0	6	8.0	8.0	6.6	22.6	9	M6	12	1.5
2.0	6	9.0	22.0	14.0	26.0	11.0	24.0	6	8.0	8.0	6.6	22.6	9	M6	12	1.5
2.0	6	9.0	22.0	14.0	26.0	11.0	24.0	6	8.0	8.0	6.6	22.6	9	M6	12	1.5
2.0	6	9.0	22.0	14.0	26.0	11.0	24.0	6	8.0	8.0	6.6	22.6	9	M6	12	1.5
2.0	6	9.0	22.0	14.0	26.0	11.0	24.0	6	8.0	8.0	6.6	22.6	9	M6	12	1.5
2.5	6	9.0	23.0	15.0	26.5	12.5	24.0	6	8.0	8.0	6.6	22.6	9	M6	12	1.5
2.5	6	9.0	23.0	15.0	26.5	12.5	24.0	8	8.0	9.0	6.6	22.6	9	M8	12	1.9
2.5	6	9.0	23.0	15.0	28.5	12.5	26.0	8	8.0	9.0	6.6	24.6	11	M8	12	1.9
2.5	6	9.0	23.0	15.0	28.5	12.5	26.0	8	8.0	9.0	6.6	24.6	11	M8	15	1.9
2.5	6	9.0	23.0	15.0	28.5	12.5	26.0	8	8.0	9.0	6.6	24.6	11	M8	15	1.9
2.5	6	9.0	23.0	15.0	28.5	12.5	26.0	8	8.0	9.0	6.6	24.6	11	M8	14	1.9
2.5	6	9.0	23.0	15.0	28.5	12.5	26.0	8	8.0	9.0	6.6	24.6	11	M8	15	1.9
2.5	7	9.0	26.0	18.0	30.5	14.5	26.0	8	8.0	10.0	6.6	24.6	11	M8	15	1.9
2.5	7	9.0	26.0	18.0	30.5	14.5	26.0	8	8.0	10.0	6.6	24.6	11	M8	15	1.9
3.0	7	9.0	26.2	18.2	30.2	14.0	26.0	8	8.0	10.0	6.6	24.6	11	M8	15	1.9
3.0	7	9.0	26.2	18.2	30.2	14.0	26.0	10	8.0	10.0	6.6	24.6	11	M8	18	2.3
3.0	7	9.0	26.2	18.2	30.2	14.0	26.0	10	8.0	10.0	6.6	24.6	11	M8	18	2.3
3.0	7	9.0	25.2	17.2	29.2	14.0	26.0	10	8.0	10.0	6.6	24.6	11	M8	18	2.3
3.0	7	9.0	25.2	17.2	29.2	14.0	26.0	10	8.0	10.0	6.6	24.6	11	M8	18	2.3
2.0	10	–	30.0	20.0	29.2	15.2	26.0	10	8.0	10.0	6.6	24.6	11	M8	18	2.3
2.0	10	–	30.0	20.0	32.5	14.5	30.0	10	9.5	10.0	6.6	28.6	13	M8	18	2.3
2.0	10	–	30.0	20.0	32.5	14.5	30.0	10	9.5	10.0	6.6	28.6	13	M8	18	2.3
2.0	10	–	30.0	20.0	32.5	14.5	30.0	10	9.5	10.0	6.6	28.6	13	M8	18	2.3
2.0	10	–	30.0	20.0	32.5	14.5	30.0	10	9.5	10.0	6.6	28.6	13	M8	18	2.3
2.0	10	–	30.0	20.0	32.5	14.5	30.0	10	9.5	10.0	6.6	28.6	13	M8	18	2.3
2.0	10	–	30.0	20.0	32.5	14.5	30.0	10	9.5	10.0	6.6	28.6	13	M8	18	2.3
2.0	10	–	30.0	20.0	34.5	16.5	32.0	12	10.0	12.0	7.1	30.1	14	M8	22	2.1
2.0	10	–	32.0	22.0	34.5	16.5	32.0	12	10.0	12.0	7.1	30.1	14	M8	22	2.1
2.0	12	–	34.0	24.0	34.5	16.5	32.0	12	10.0	12.0	7.1	30.1	14	M8	22	2.1
2.0	12	–	34.0	24.0	34.5	16.5	32.0	12	10.0	12.0	7.1	30.1	14	M8	22	2.1
2.0	12	–	34.0	24.0	34.5	16.5	32.0	12	10.0	12.0	7.1	30.1	14	M8	22	2.1
2.0	12	–	34.0	24.0	37.0	16.5	34.5	12	10.0	12.0	7.1	32.1	16	M8	22	2.1
2.0	12	–	34.0	24.0	37.0	16.5	34.5	12	10.0	12.0	7.1	32.1	16	M8	22	2.1
2.0	12	–	38.0	28.0	37.0	16.5	34.5	12	10.0	12.0	7.1	32.1	16	M8	22	2.1
2.0	12	–	38.0	28.0	37.0	16.5	34.5	12	10.0	12.0	7.1	32.1	16	M8	22	2.1
2.0	12	–	38.0	28.0	37.0	16.5	34.5	12	10.0	14.0	7.1	32.1	16	M10	22	2.1
2.0	12	–	38.0	28.0	37.0	17.5	34.5	12	10.0	14.0	7.1	32.1	16	M10	22	2.1

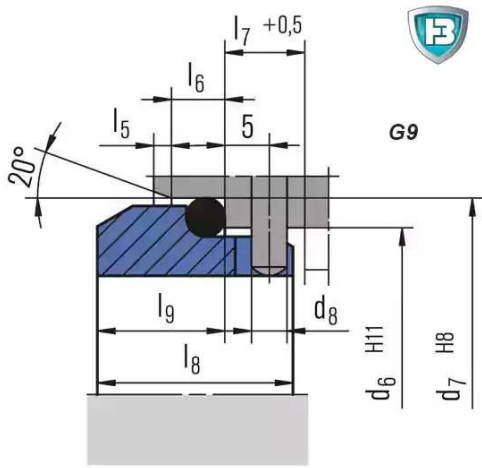
HBrinker Mechanical Seal

Pusher seals Mechanical Seal HB7N

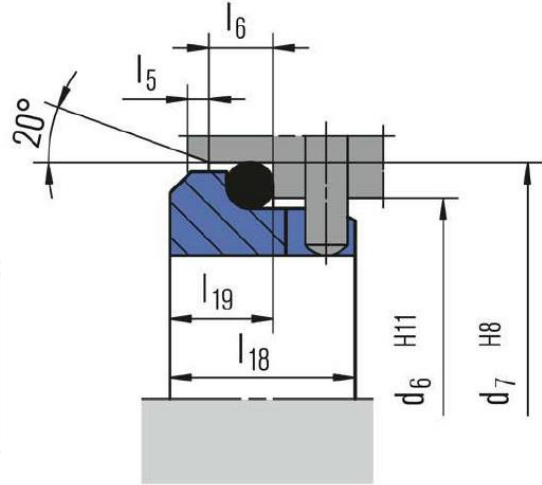


Seat alternatives

Seat G9



Seat G16



Seat G115

