



Mechanical Seal HB706K

Operating range

- Temperature: -40 to +200 c
- Pressure: ≤ 1.6 mpa
- Speed: ≤ 15 m/s
- Stationary and rotating face: SIC/SIC – Viton
- Material of metal part: AISI304
- Available Material: CARBON/SIC/TC/EPDM/VITON, SS304 or SS316
- Rubber type: EPDM
- Shaft diameter: 22-32
- Width of transport packing: 8cm
- Length of transport packing: 8cm
- Height of transport packing: 10cm

The material can be changed based on the type of order

Seal HB706K

- Rotary Face: Silicon carbide
- Stationary Seat: Silicon carbide
- Auxiliary Seal
 - Ethylene-Propylene-Diene EPDM
 - Fluorocarbon-Rubber (Viton)
- Spring
 - Stainless Steel (304)
 - Stainless Steel (316)
- Metal Parts
 - Stainless Steel (304)
 - Stainless Steel (316)

Grundfos pump type

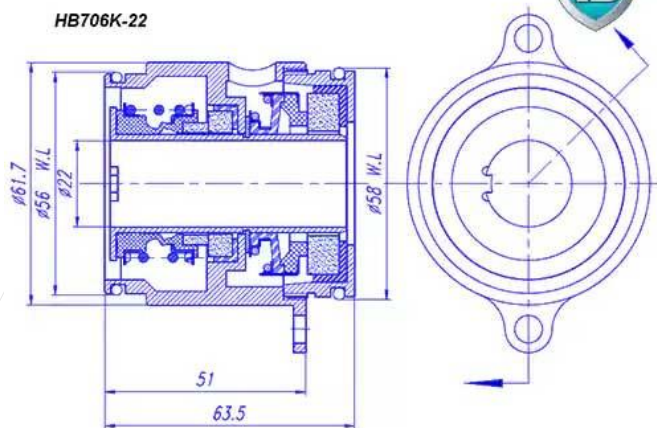
Cartridge seal HB706K series to pumps Grundfos SE / SL (SEV, SLV). It used in waste and untreated waters for sophisticated utilities and industrial environments

HBrinker Mechanical Seal

Grundfos seals Mechanical Seal HB706K



Dimension



V

