

HBrinker Mechanical Seal

Agitator seal Mechanical Seal HBSMR34



Mechanical Seal HBSMR34

Operating range

Shaft diameter: $d_1 = 35 \dots 140$ (500) mm (1.38" ... 5.51" (19.68"))

Axial offset shaft/housing: $d_1 = 35 \dots 60$ mm (1.38" ... 2.36"): max. ± 1.5 mm (0.059") $d_1 > 60$ mm (2.36"): max. ± 2.0 mm (0.079")

Radial offset shaft/housing: max. ± 0.3 mm (0.012")

Pressure:

$p_1 =$ vacuum ... 14 (23) bar (203 (334) PSI)

$p_3 =$ max. 16 (25) bar (232 (363) PSI)

$\Delta p_3 - p_1 = 2 \dots 10$ bar (29 ... 145 PSI), higher Δp on request

Temperature: $t_1 = -20$ °C ... +200 (300) °C (-4 °F ... +392 (572) °F)

Sliding velocity: $v_g =$ max. 10 (20) m/s (33 (66) ft/s)

Materials

- Seal faces: Silicon carbide, FDA conform
- Seat: Carbon graphite (atmosphere side) resp. Silicon carbide (product side), FDA conform
- Secondary seals and metallic parts acc. to application and customers' requirement.

Features

- For top, side and bottom entry drives
- Seat at product side rotating
- Unbalanced
- Liquid-lubricated
- Double seal
- Independent of direction of rotation
- Cartridge unit
- With or without bearing available
- Shaft sleeve not in contact with product (with standard diameters)

Advantages

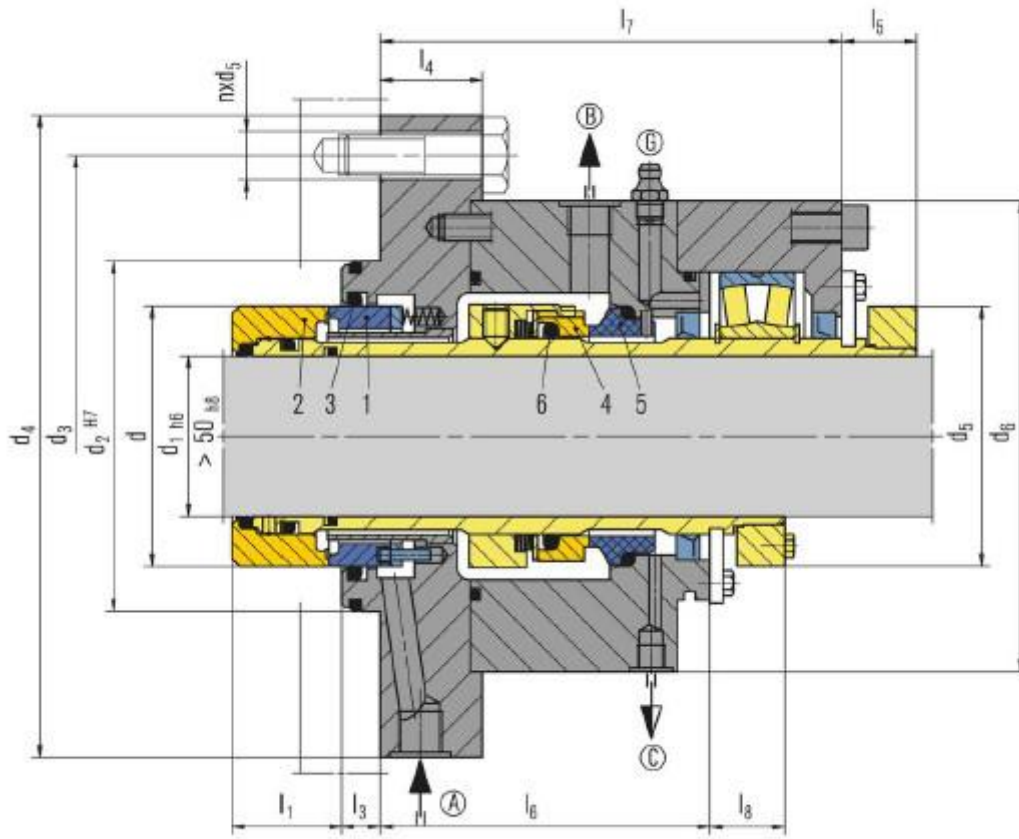
- Smooth surface, free of dead spaces
CIP-/SIP (Cleaning in Place, Sterilization in Place) capable
- Sliding materials FDA conform
- Variant for sterile applications available
- ATEX certification on request

Recommended applications

- Petrochemical industry
- Chemical industry
- Pharmaceutical industry
- Food and beverage industry
- Mixers
- Dryers
- Mills
- Kneaders
- Reactors
- Pressure filters

HBrinker Mechanical Seal

Agitator seal Mechanical Seal HBSMR34



Item	Description
1	Seal face, product side
2	Seal face, product side
3,6	O-Ring dynamic
4	Seat, product side
5	Seat, atmosphere side