

HBrinker Mechanical Seal

Agitator seal Mechanical Seal HBM481K



Mechanical Seal HBM481K

Operating range

Shaft diameter: $d_1 = 40 \dots 220 \text{ mm}$ (1.57" 8.66")

Pressure:

$p_1 = \text{vacuum} \dots 16 \text{ bar}$ (232 PSI),

$p_3 = \text{max. } 18 \text{ bar}$ (261 PSI)

Temperature: $t_1 = -40 \text{ }^\circ\text{C} \dots +200 \text{ (350*) }^\circ\text{C}$ (-40 °F ... +392 (662*) °F)

Sliding velocity: $v_g = 0 \dots 5 \text{ m/s}$ (0 ... 16 ft/s)

Materials

- Seal faces: Carbon graphite or Silicon carbide, FDA conform
- Seats: Silicon carbide, FDA conform
- Secondary seals and metallic parts acc. to application and customers' requirement.

Features

- Liquid-lubricated double seal for topenry drives
- Cartridge unit
- Self-closing on the product side
- For stepped and unstepped shafts
- Unbalanced
- Independent of direction of rotation
- Multiple springs rotating

Advantages

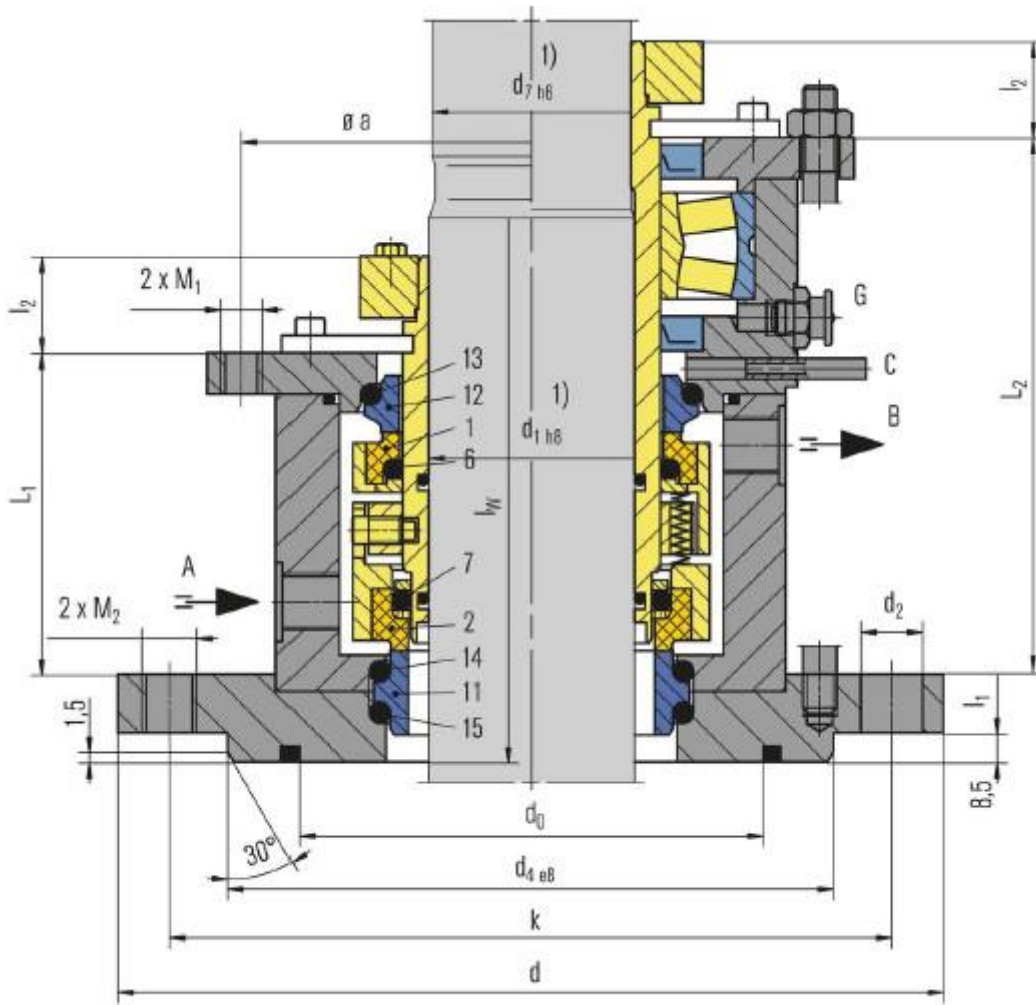
- Ready-to-fit and factory-tested units
- The HBM481K and its variants will remain closed even during pressure variations or pressure reversal. Operation is possible with buffer fluid ($p_{1\text{max}} = 6 \text{ bar}$ (87 PSI)) or pressurized with barrier fluid as double seal
- Available with or without bearing
- Suitable for standardizations Seal can be applied at higher pressure and rotating speed than specified by DIN

Recommended applications

- Refining technology
- Petrochemical industry
- Chemical industry
- Pharmaceutical industry
- Food and beverage industry
- Agitators
- Reactors

HBrinker Mechanical Seal

Agitator seal Mechanical Seal HBM481K



Item	Description
1	Seal face, atmosphere side
2	Seal face, product side
6,7,13, 14,15	O-Ring
11	Seat, product side
12	Seat, atmosphere side

HBrinker Mechanical Seal

Agitator seal Mechanical Seal HBM481K



Dimension Table

$d_1^{1)}$	$d_7^{1)}$	d	n x d ₂	d ₄	d ₀	k	L ₁	L ₂	L _w ²⁾	l ₁	l ₂	A	M ₁	M ₂	A, B
40	38	175	4×18	110	90	145	87	136	143	15	28	122	M12	M16	G3/8
50	48	240	8×18	176	135	210	89	149	148	17	28	157	M12	M16	G3/8
60	58	240	8×18	176	135	210	93.5	156	158	17	28	168	M12	M16	G3/8
80	78	275	8×22	204	155	240	104.5	189	168	20	34	203	M16	M20	G1/2
100	98	305	8×22	234	190	270	109	190	178	20	34	228	M16	M20	G1/2
125	120	330	8×22	260	215	295	110	205	203	20	40	268	M20	M20	G1/2
140	135	395	12×22	313	250	350	124	222	208	20	40	285	M20	M20	G1/2
160	150	395	12×22	313	265	350	127.5	219.5	213	25	40	297	M20	M20	G1/2
180	170	445	12×22	364	310	400	132.5	230	233	25	45	332	M24	M20	G1/2
200	190	445	12×22	364	310	400	137.5	237.5	243	25	45	352	M24	M20	G1/2
220	210	505	16×22	422	340	460	149.5	249.5	263	25	50	381	M24	M20	G1/2

v