



### Mechanical Seal HBG13

#### Operating range

Shaft diameter:  $d_1 = 10 \dots 100 \text{ mm}$  (0.39" ... 3.94")

Pressure:  $p_1 = 16 \text{ bar}$  (230 PSI), vacuum ... 0.5 bar (7.25 PSI), up to 1 bar (14.5 PSI) with seat locking

Temperature:  $t = -20 \text{ }^\circ\text{C} \dots +140 \text{ }^\circ\text{C}$  (-4 °F ... +284 °F)

Sliding velocity:  $v_g = 10 \text{ m/s}$  (33 ft/s)

Admissible axial movement:  $\pm 2.0 \text{ mm}$  ( $\pm 0.08''$ )

#### Materials

- Seal face: Carbon graphite antimony impregnated (A), Carbon graphite resin impregnated (B), Silicon carbide (Q1, eSiC-Q7)
- Seat: Silicon carbide (Q1, eSiC-Q7), Tungsten carbide (U3)
- Elastomer: NBR (P), EPDM (E), FKM (V), HNBR (X4)
- Metal parts: CrNiMo steel (G), Hastelloy® (M)

Further materials upon request.

#### Features

- For plain shafts
- Single and dual seal
- Elastomer bellows rotating
- Balanced
- Independent of direction of rotation
- No torsion on bellows

#### Advantages

- Shaft protection over entire seal length
- Protection of seal face during installation due to special bellows design
- Insensitive to shaft deflections due to large axial movement ability
- Universal application opportunities
- Important material certifications available
- High flexibility due to wide offer on materials
- Suitable for low-end sterile applications
- Special design for hot water pumps (RMG12) available

#### Recommended applications

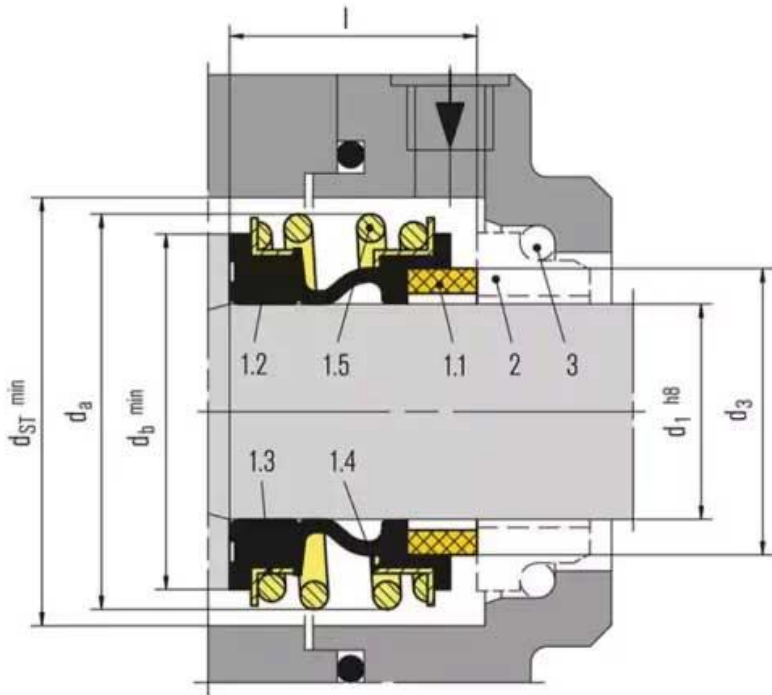
- Fresh water supply
- Building services engineering
- Waste water technology
- Food technology
- Sugar production
- Pulp and paper industry
- Oil industry
- Petrochemical industry
- Chemical industry
- Water, waste water, slurries (solids up to 5 % by weight)
- Pulp (up to 4 % otro)
- Latex

#### Recommended applications

- Dairies, beverages
- Sulfide slurries
- Chemicals
- Oils
- Chemical standard pumps
- Helical screw pumps
- Stock pumps
- Circulating pumps
- Submersible pumps
- Water and waste water pumps
- Oil applications

# HBrinker Mechanical Seal

Elastomer Bellows Mechanical Seal HBG13

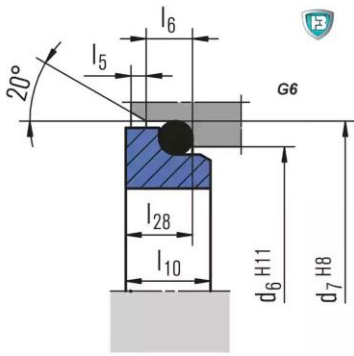


Item	Part NO to DIN 24250	Description
1.1	472	Seal face
1.2	481	Bellows
1.3	484.2	L-ring
1.4	484.1	L-ring
1.5	477	Spring
2	475	Seat
3	412	Oring

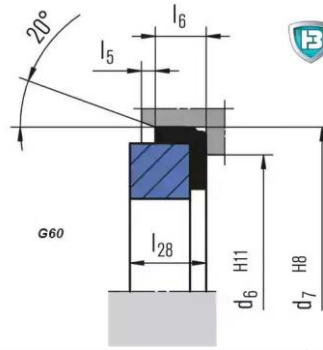
# HBrinker Mechanical Seal

Elastomer Bellows Mechanical Seal HBG13

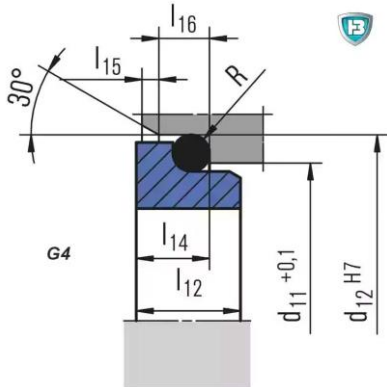
## Seat alternatives



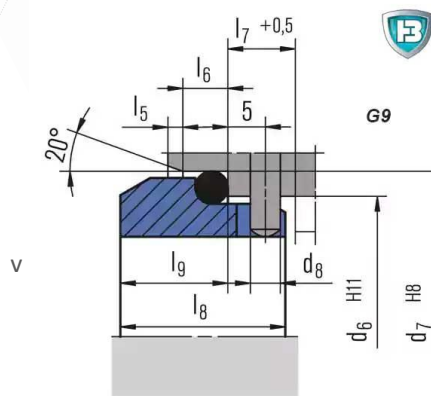
Seat G6



Seat G60



Seat G4



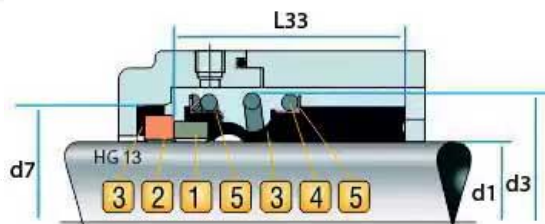
Seat G9

# HBrinker Mechanical Seal

Elastomer Bellows Mechanical Seal HBG13



Dimension Table in millimeter



d1 H6	d3 (Max)	d7	L33 (±0.5)	L4	d12 (H8)	114
10	22,5	21	33,4	6,6	19,2	6,6
12	25,0	23	33,4	6,6	21,6	5,6
14	28,5	25	33,4	6,6	24,6	5,6
15	28,5	27	33,4	6,6	24,6	6,6
16	28,5	27	33,4	6,6	28,0	7,5
18	32,0	33	37,5	7,5	30,0	8
19	36,5	35	37,5	7,5	35,0	7,5
20	37,0	35	37,5	7,5	35,0	7,5
22	37,0	37	37,5	7,5	35,0	7,5
24	42,5	39	42,5	7,5	38,0	7,5
25	42,5	40	42,5	7,5	38,0	7,5
28	49,0	43	42,5	7,5	42,0	9
30	49,0	45	42,5	7,5	45,0	10,5
32	53,5	48	47,5	7,5	48,0	10,5
33	53,5	48	47,5	7,5	50,0	11
35	57,0	50	47,5	7,5	52,0	11
38	59,0	56	46,0	9	55,0	10,3
40	62,0	58	46,0	9	58	10,8
42	65,5	61	51,0	9	62,0	12
43	65,5	61	51,0	9	62,0	12
45	68,0	63	51,0	9	64,0	11,6
48	70,5	66	51,0	9	68,4	11,6
50	74,0	70	50,5	9,5	69,3	11,6
53	78,5	73	59,0	11	72,3	12,3
55	81,0	75	59,0	11	75,4	13,3
58	85,5	78	59,0	11	78,4	13,3
60	85,5	80	59,0	11	80,4	13,3
65	93,5	85	69,0	11	85,4	13
68	96,5	90	68,7	11,3	91,5	13,7
70	99,5	92	68,7	11,3	92,0	13
75	107,0	97	68,7	11,3	99,0	14
80	112,0	105	78,0	12	104,0	15
85	120,0	110	76,0	14	109,0	14,8
90	127,0	115	76,0	14	114,0	14,8
95	132,0	120	76,0	14	120,3	15,8
100	137,0	125	76,0	14	123,3	15,8