



Mechanical Seal HBHI300

Operating range

Shaft diameter: $d_1 = 50 \dots 150 \text{ mm}$ (1.97" ... 5.91")

Pressure: $p_1 = 100 \text{ bar}$ (1,450 PSI),

Static: up to 150 bar (2,175 PSI),

Dynamic: up to 100 bar (1,450 PSI)

Temperature: $t = -20 \dots +100 \text{ }^\circ\text{C}$ (-4 ... 212 $^\circ\text{F}$)

Sliding velocity: $v_g = 50 \text{ m/s}$ (164 ft/s)

Axial movement: $\pm 1 \text{ mm}$

Materials

- Seal face: Silicon impregnated carbon (Q3), DiamondFace
- Stationary seat: Silicon carbide (Q2), DiamondFace
- Secondary seals: FKM (V), FFKM (K)
- Springs: Hastelloy® C-4 (M)
- Metal parts: CrNiMo steel (G), Duplex (G1),
- Super Duplex (G4), Titan (T2), Hastelloy® C-4 (M)

Features

- Robust seal design - suitable for demanding light hydrocarbon applications
- Compact cartridge seal for small seal chambers
- Single unpressurized seal with a high pressure-non contacting containment seal
- Stationary spring loaded unit
- Balanced primary seal faces in materials with high thermal conductivity and strength
- Multi-point injection of the flush fluid optional
- Seal faces can be equipped with lubrication enhancing grooves and/or DiamondFace technology

Advantages

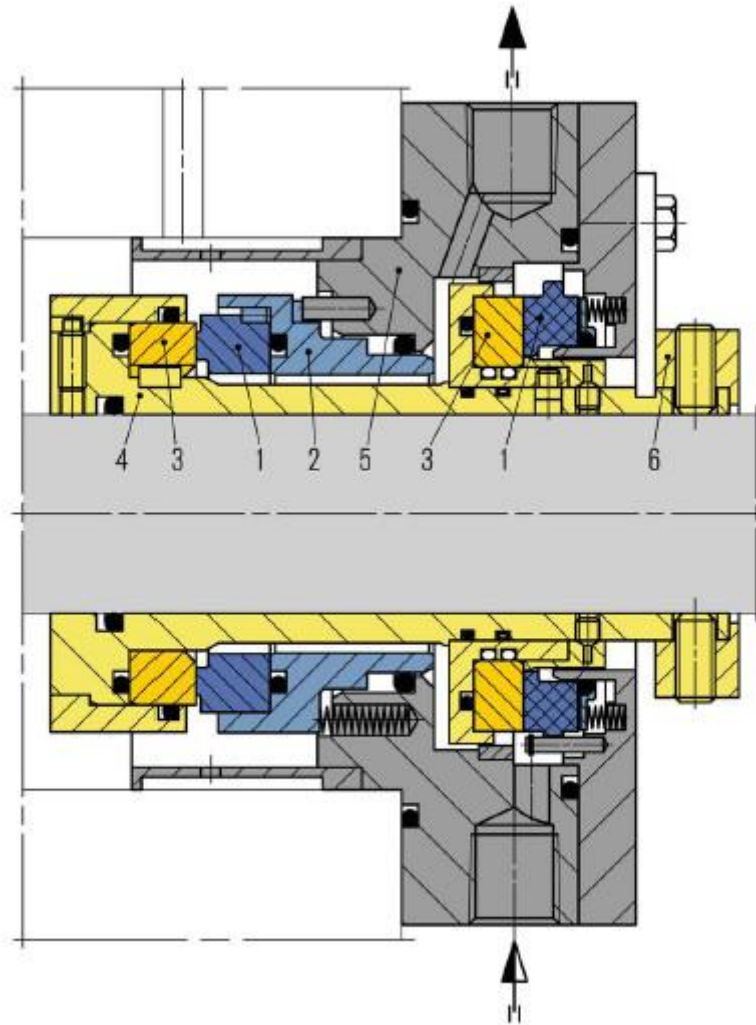
- High Performance seal for single and multi fluid type pipeline services with variable pressures and speeds
- Low amount of heat generation, hence minimal temperature rise in the seal faces
- Suitable for flashing and non-flashing light hydrocarbons, even with low vapor pressure margins
- Seal faces have soft torque transmission
- Seal faces are shrouded in steel collars so that they cannot break apart in pieces in an emergency case
- Resistant to alignment issues between the pump case and shaft because of stationary springs
- Containment seal is rated for full dynamic pressure of primary seal, i.e. high degree of safety and environmental protection
- Seal face materials are resistant to solids in the pumped fluid

Recommended applications

- Pipeline systems
- Tank farms / storage tanks
- Petrochemical industry
- Refining technology
- Oil & gas production

HBrinker Mechanical Seal

Engineered seals Mechanical Seal HBHI300



Item	Description
1	Seal Face
2	Face Housing
3	Seat
4	Shaft Sleeve
5	Housing
6	Set ring